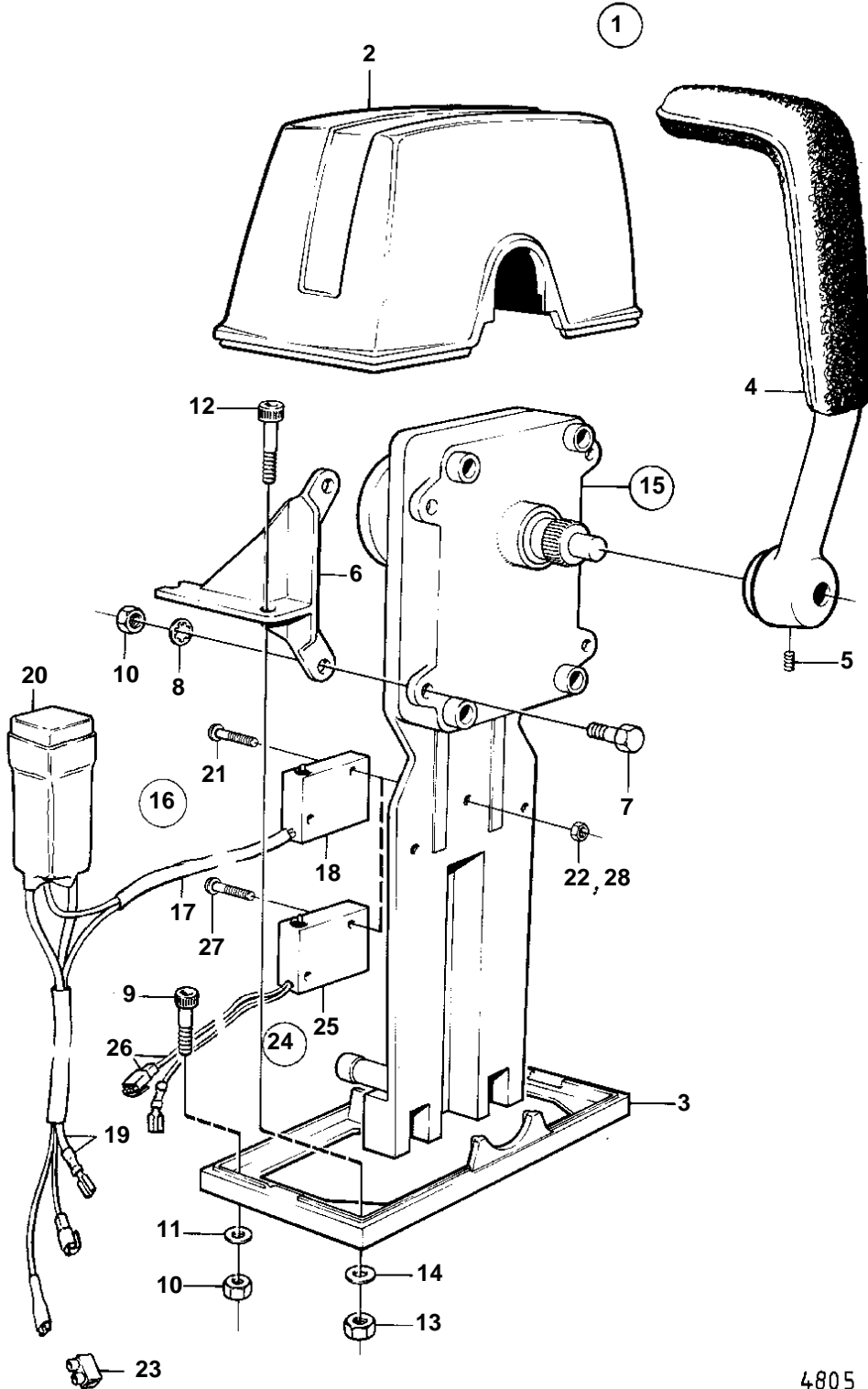


COMMON



4805

## COMMON

REF	PART NO.	QTY	DESCRIPTION	SEE SEC.	NOTES
1	839471	1	Mounting kit		REPL BY 851603
2	839477	1	• Cover	IK	
3	839479	1	• Plate	IK	
4	839475	2	• Lever	IK	
5	946786	2	• Lock screw	IK	M5
	839693	2	• Lock screw	IK	M8
6	839480	2	• Bracket	IK	MARKED 839480
	839481	2	• Bracket	IK	MARKED 839481
7	955244	8	• Screw	IK	
8	955946	8	• Lock washer	IK	
9	947671	2	• Allen head screw	IK	
10	955780	10	• Nut	IK	
11	960138	2	• Washer	IK	
12	947672	4	• Allen head screw	IK	
13	955781	4	• Nut	IK	
14	960139	4	• Washer	IK	
15	839469	2	Control		TOP-MOUNTED REPLACED BY 851600.. SIDE-MOUNTED REPLACED BY 851601.
				090-0750	
16	839641	2	Neutral posit contac		MAIN STATION.
17	839619	2	• Cable kit		
18	850200	2	• • Switch		
19		X	• • CABLES AND CABLE TERMINALS		SEE GROUP 3
20	876037	2	• Relay kit		
21	946177	4	• Screw		
22	947536	4	• Nut		
23	182009	2	• Coupling piece		
24	828414	2	Neutral posit contac		D40.. MAIN STATION.
	828378	2	Switch		D40.. SECOND STATION.
25	850200	2	• Switch		
26		X	• • CABLES AND CABLE TERMINALS		SEE GROUP 3
27	946177	4	• Screw		
28	947536	4	• Nut		